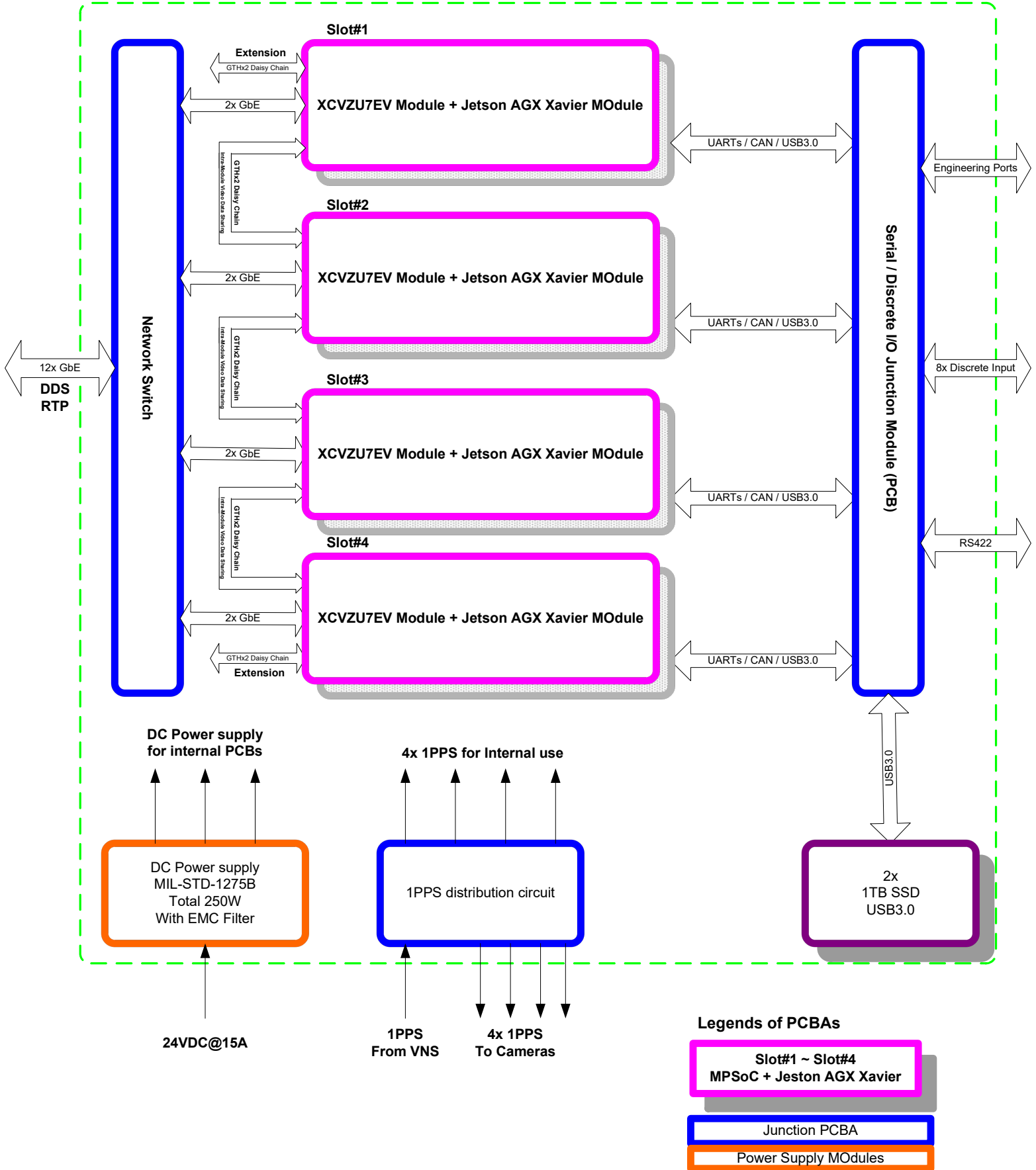
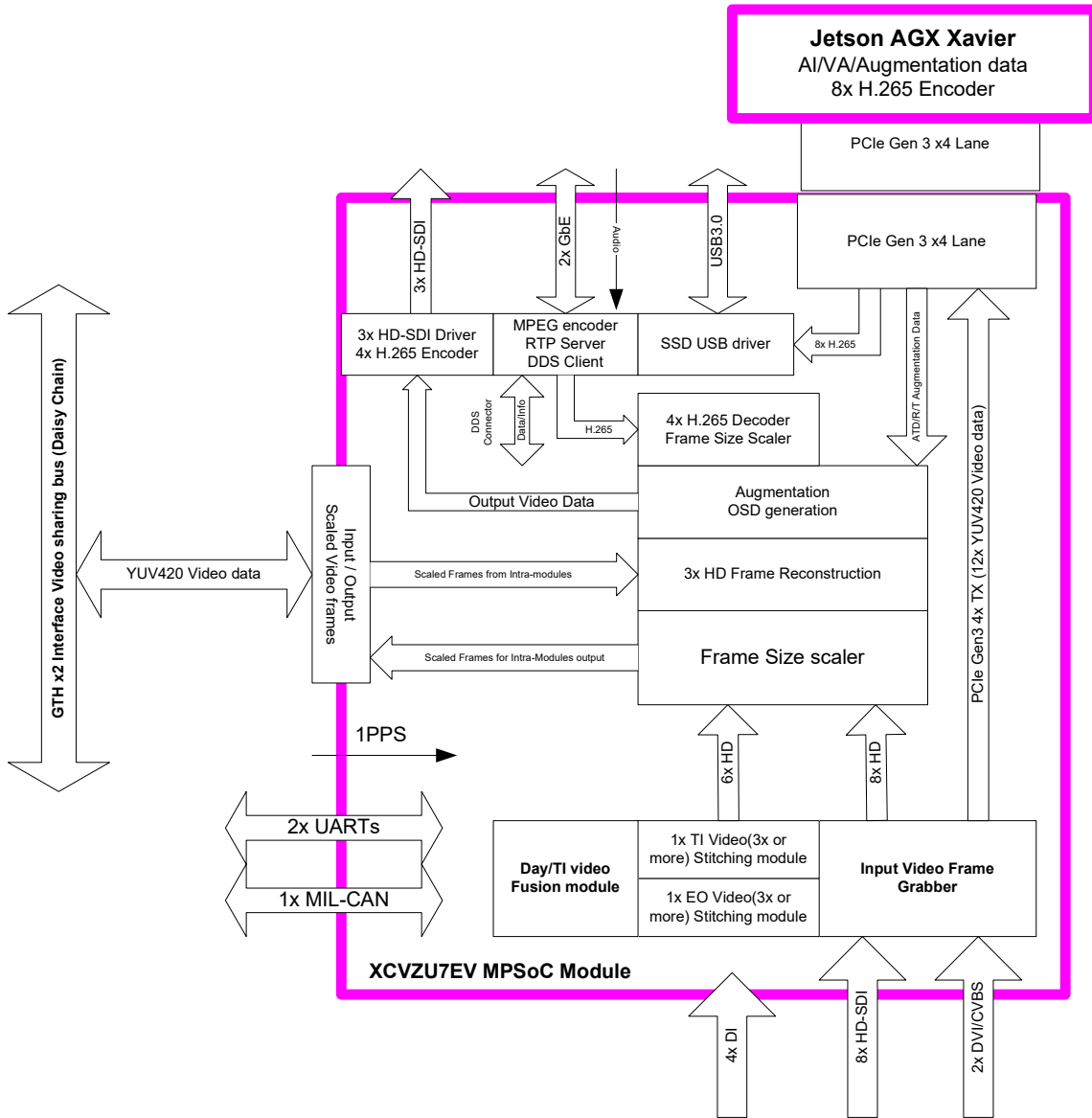
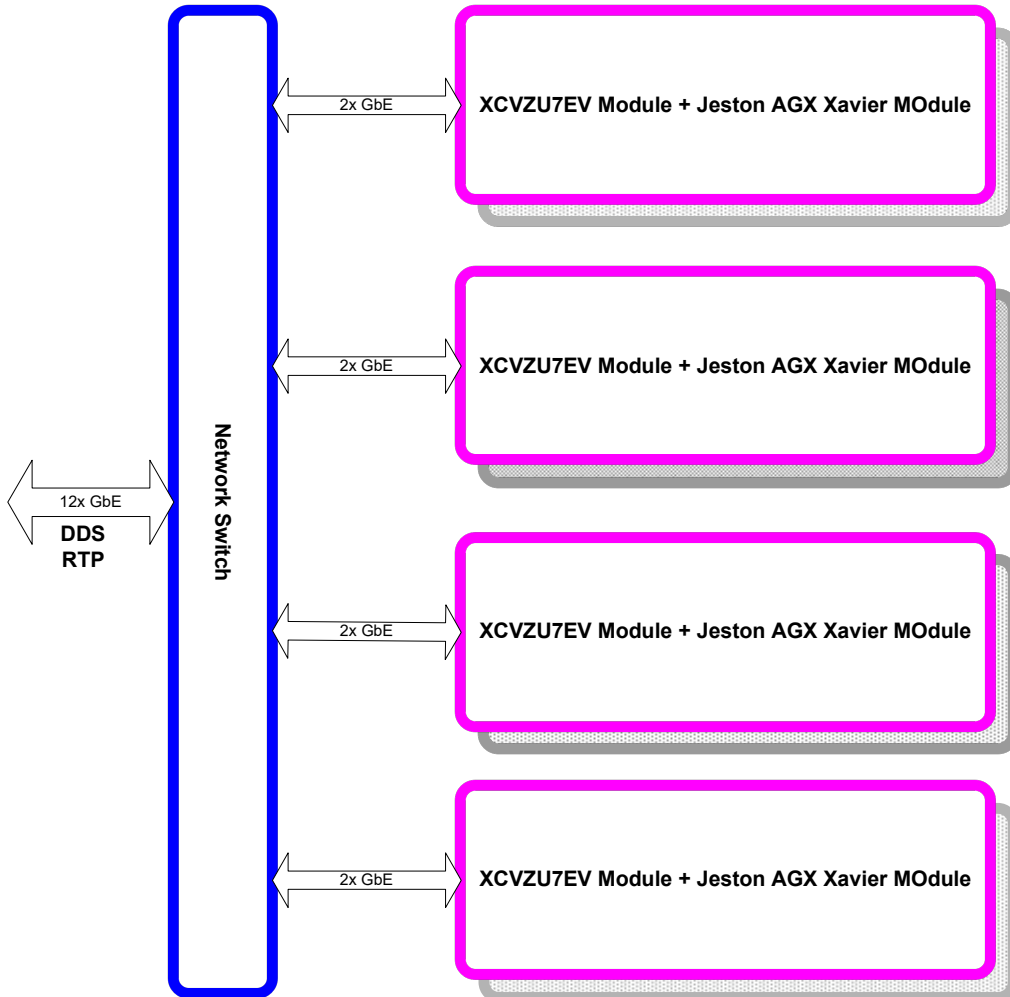
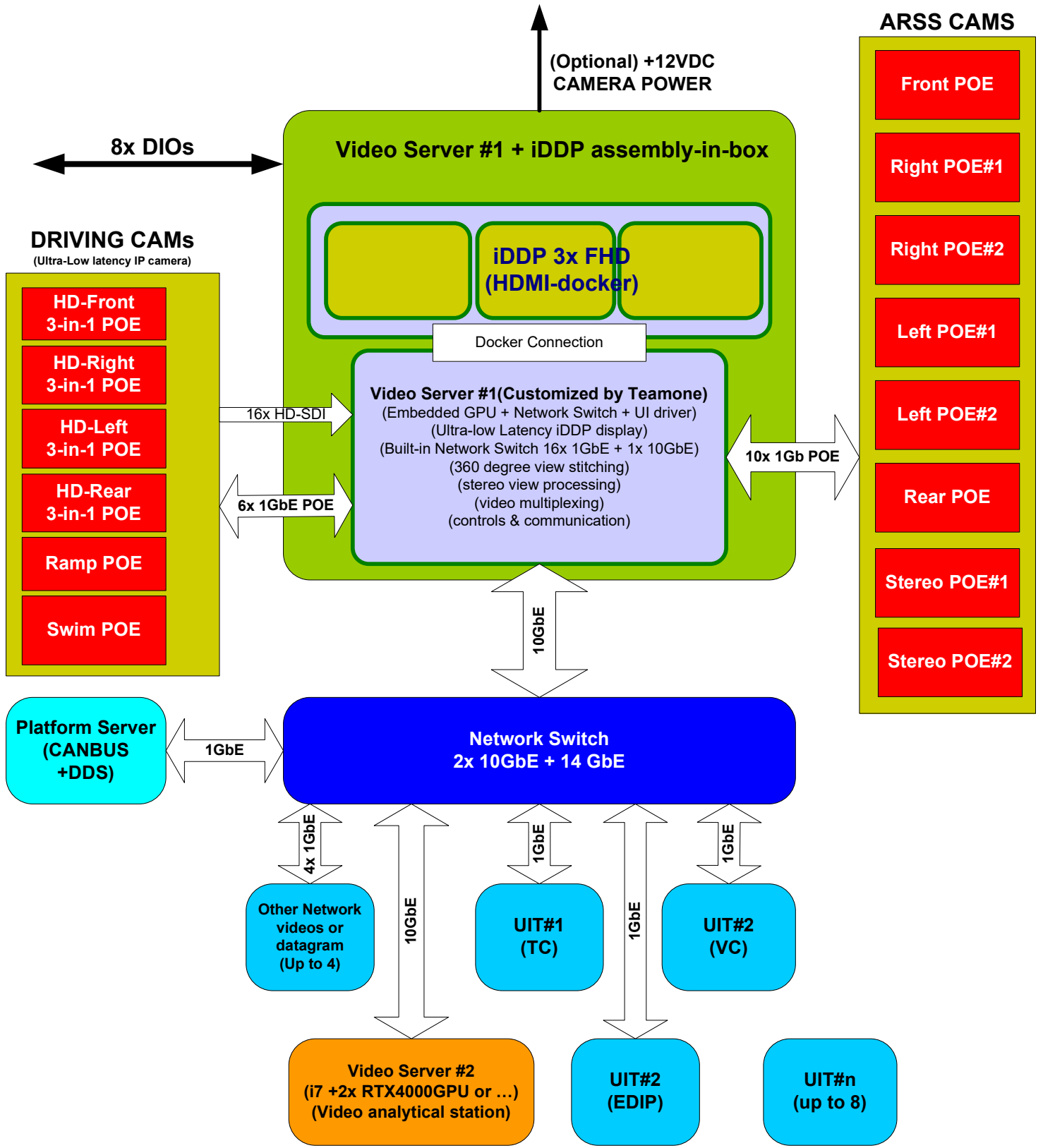


Video Server Box









Prototype cost: S\$165,000/unit
 Lead time: 7 months
 Production Price: TBD

(Optional) +12VDC
 CAMERA POWER

8x Discrete Input
 4x Discrete Output

Video Server #1 + iDDP assembly-in-box

Proposal #1:
 1x iDDP 10.1" x 3 FHD
 (3x LCD panel with 1x B3-VDU card)

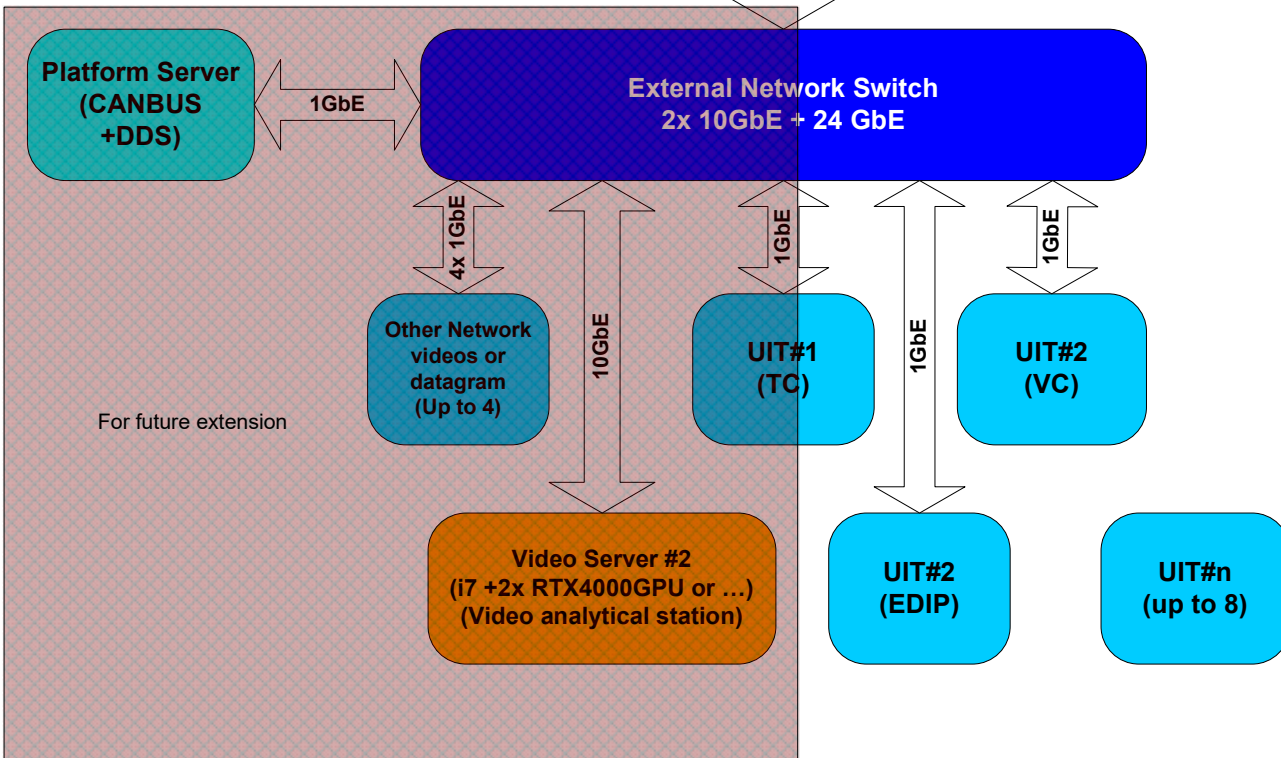
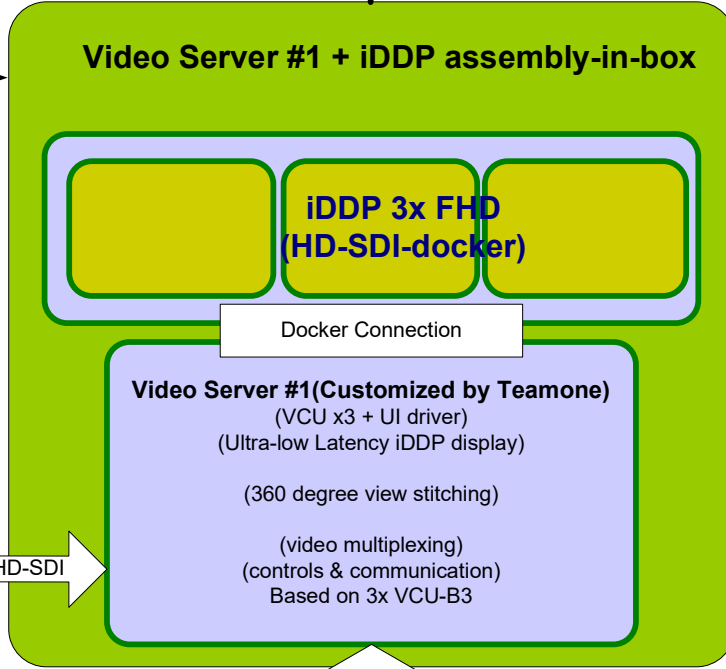
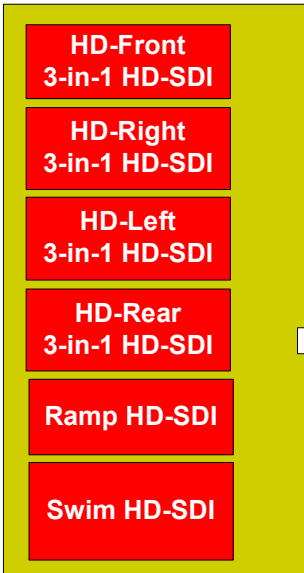
1x Video server #1
 (3x VCUx B3)
 4x CAN-bus connection
 4x RS422 + 4x RS232
 8x DI + 8x DO

Options:
 Up to 4x Jetson AGX Xavier
 Embedded GPU.

*Edge-Processing capability
 for incoming videos.*

1PPS Signal distribution.

DRIVING CAMs
 (Ultra-Low latency IP camera)



Prototype cost: S\$195,000/unit
 Lead time: 9 months
 Production Price: TBD

(Optional) +12VDC
 CAMERA POWER

8x Discrete Input
 4x Discrete output

Video Server #1 + iDDP assembly-in-box

DRIVING CAMs
 (Ultra-Low latency IP camera)

- HD-Front 3-in-1 HD-SDI
- HD-Right 3-in-1 HD-SDI
- HD-Left 3-in-1 HD-SDI
- HD-Rear 3-in-1 HD-SDI
- Ramp HD-SDI
- Swim HD-SDI

iDDP 3x FHD (HDMI-docker)

Docker Connection

Video Server #1 (Customized by Teamone)
 (Embedded GPU + Network Switch + UI driver)
 (Ultra-low Latency iDDP display)
 (Built-in Network Switch 8x 1GbE + 1x 10GbE)
 (360 degree view stitching)
 (stereo view processing)
 (video multiplexing)
 (controls & communication)

- UIT#n (up to 8)
- UIT#2 (VC)
- UIT#2 (EDIP)
- UIT#1 (TC)

Platform Server (CANBUS +DDS)

Network Switch 2x 10GbE + 14 GbE

For future extension

Other Network videos or datagram (Up to 4)

Video Server #2 (i7 +2x RTX4000GPU or ...)
 (Video analytical station)

ARSS CAMs

- Front POE
- Right POE#1
- Right POE#2
- Left POE#1
- Left POE#2
- Rear POE
- Stereo POE#1
- Stereo POE#2

16x HD-SDI

10GbE

1GbE

1GbE

1GbE

1GbE

1GbE

4x 1GbE

8x 1GbE

10GbE